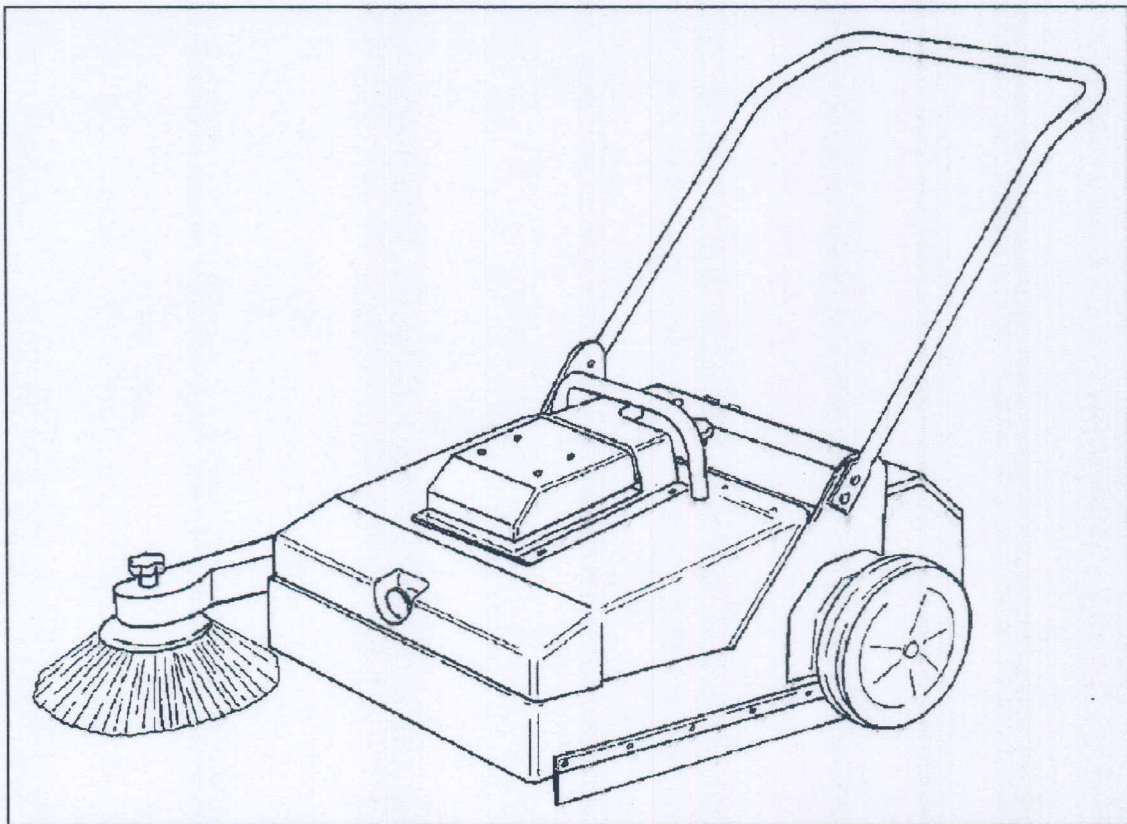


# ***Minuteman***<sup>®</sup> **PowerBoss**<sup>®</sup>

## ***PROWLER*** **Parts Manual** **MODEL WS 20**



***Minuteman***<sup>®</sup> PowerBoss<sup>®</sup>

*P.O. Box 1227 175 Anderson Street  
Aberdeen, NC 28315-1227 USA  
(910) 944 - 2105 FAX: (910) 944-7409*

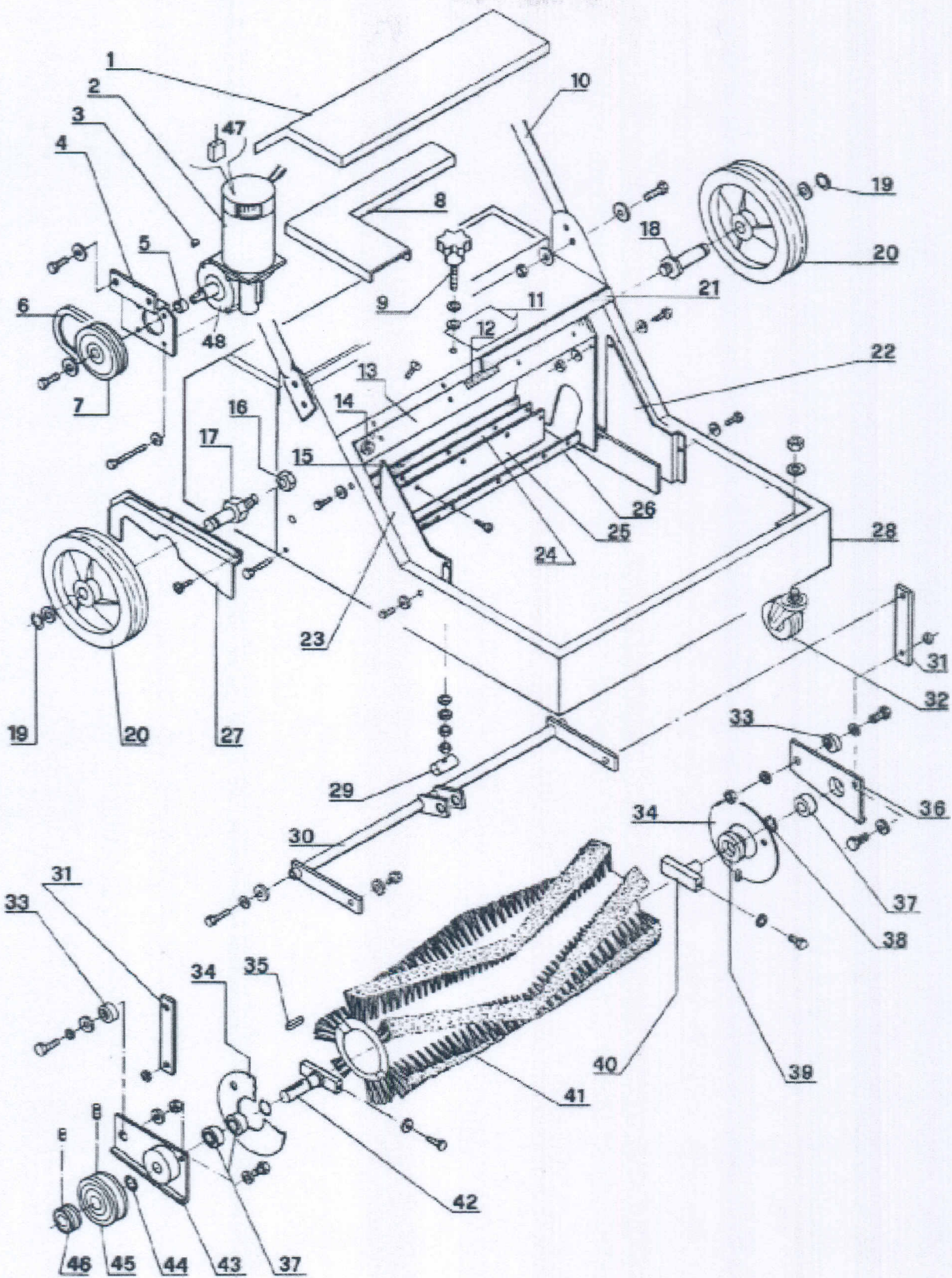
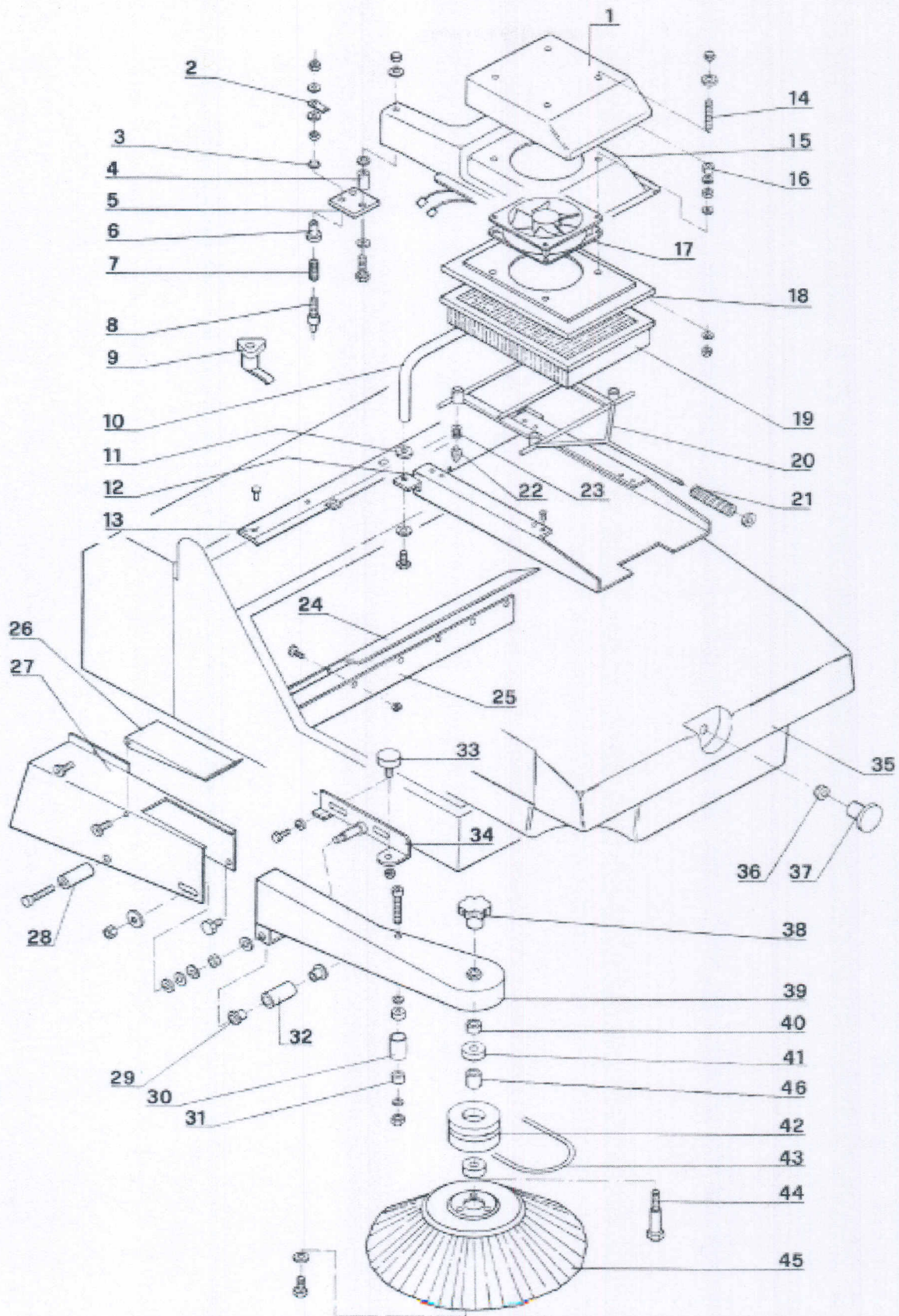


DIAGRAM 1

WS 20

6/3/2004

Pos.	Eureka	Powerboss	Description	Briggs & Stratton Qty	Electric Qty
1	120121	1000217	Battery Lid	-	1
2	610011	1001074	Motor - Brush Drive	-	1
3	750017	1001232	Key - Brush Drive Motor	-	1
4	120126	1000222	Mounting Flange	-	1
5	210094	1000449	Spacer	-	1
6	430025	1000829	Belt	-	1
7	270026	1000597	Pulley	-	1
8	120122	1000218	Stop Battery	-	1
9	330058	1000731	Knob - Adjustment	-	1
10	160004	1000362	Handle	-	1
11	510058	1000902	Decal - Broom Adj.	-	1
12	360065	1000776	Gasket	-	1
13	120127	1000223	Housing - Main Broom	-	1
14	330016	1000670	Rubber	-	1
15	M30002	1001814	Seal	-	mts
16	720022	1001187	Nut - Axle	-	2
17	210102	1000456	Stub - Axle - Right	-	1
18	210103	1000457	Stub - Axle - Left	-	1
19	740004	1001204	Retainer - Snap Ring	-	2
20	440001	1000834	Wheel	-	2
21	M30002	1001814	Seal	-	mts
22	380002	1000780	Plate - MB Chamber - LH	-	1
23	380001	1000779	Plate - MB Chamber - RH	-	1
24	110102	1000081	Retainer - Broom Flap	-	1
25	340015	1000718	Flap Broom Chamber	-	1
26	110096	1000077	Retainer - Broom Flap	-	1
27	310048	1000641	Guard - Pulley	-	1
28	120120	1000216	Main Frame	-	1
29	220001	1000479	Pivot	-	1
30	130002	1000273	Weldment - Main Broom Lift	-	1
31	130075	1000333	Connector Link	-	2
32	440002	1000835	Caster	-	2
33	210104	1000458	Spacer	-	2
34	340017	1000720	Rubber - MB End Cover	-	2
35	750016	1001231	Key	-	1
36	130076	1000334	Bearing Mount - LH	-	1
37	410005	1000786	Bearing	-	3
38	740001	1001201	Retainer - Snap Ring	-	2
39	210125	1000473	Spacer	-	1
40	130007	1000274	Main Brush Idler	-	1
41	520024	1000920	Main Broom	-	1
42	130074	1000332	Main Brush Drive	-	1
43	130073	1000331	Bearing Mount - RH	-	1
44	740002	1001202	Retainer - Snap Ring	-	1
45	270027	1000598	Pulley - Large	-	1
46	270028	1000599	Pulley - Small	-	1
47	640062	1001362	Carbon brush for motor 1001074	-	2
48	790016	1001779	Reduction gear	-	1

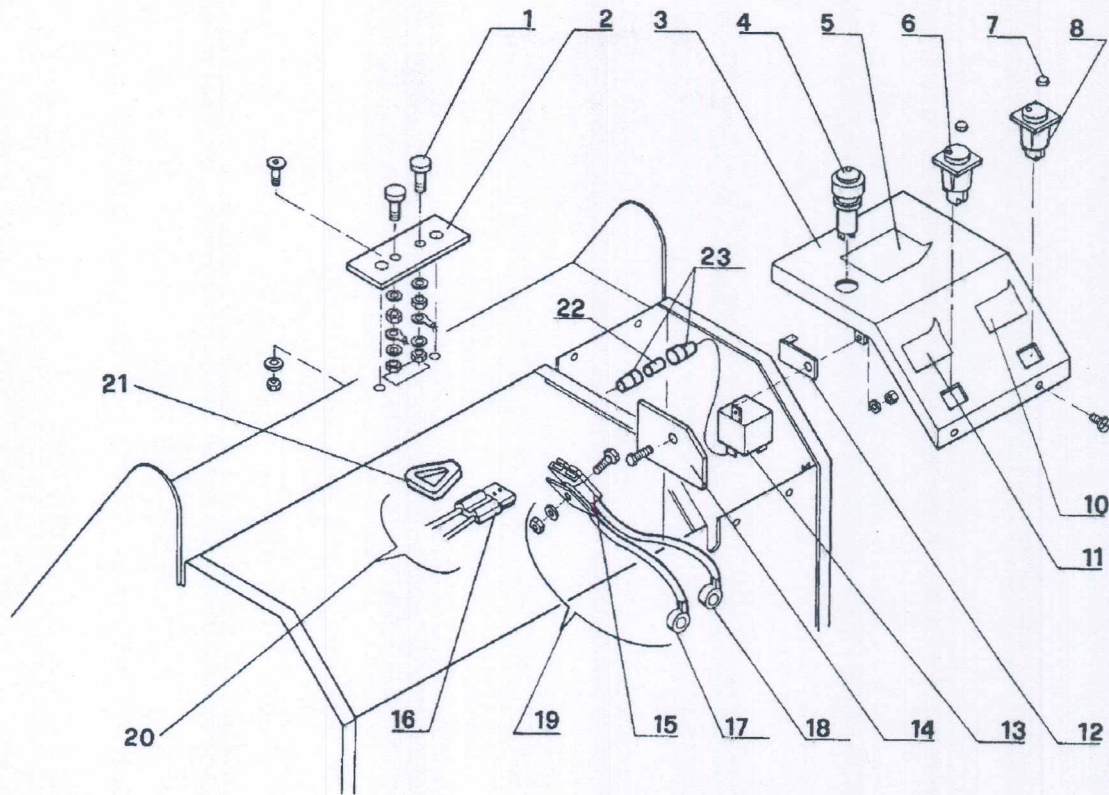


## DIAGRAM 2

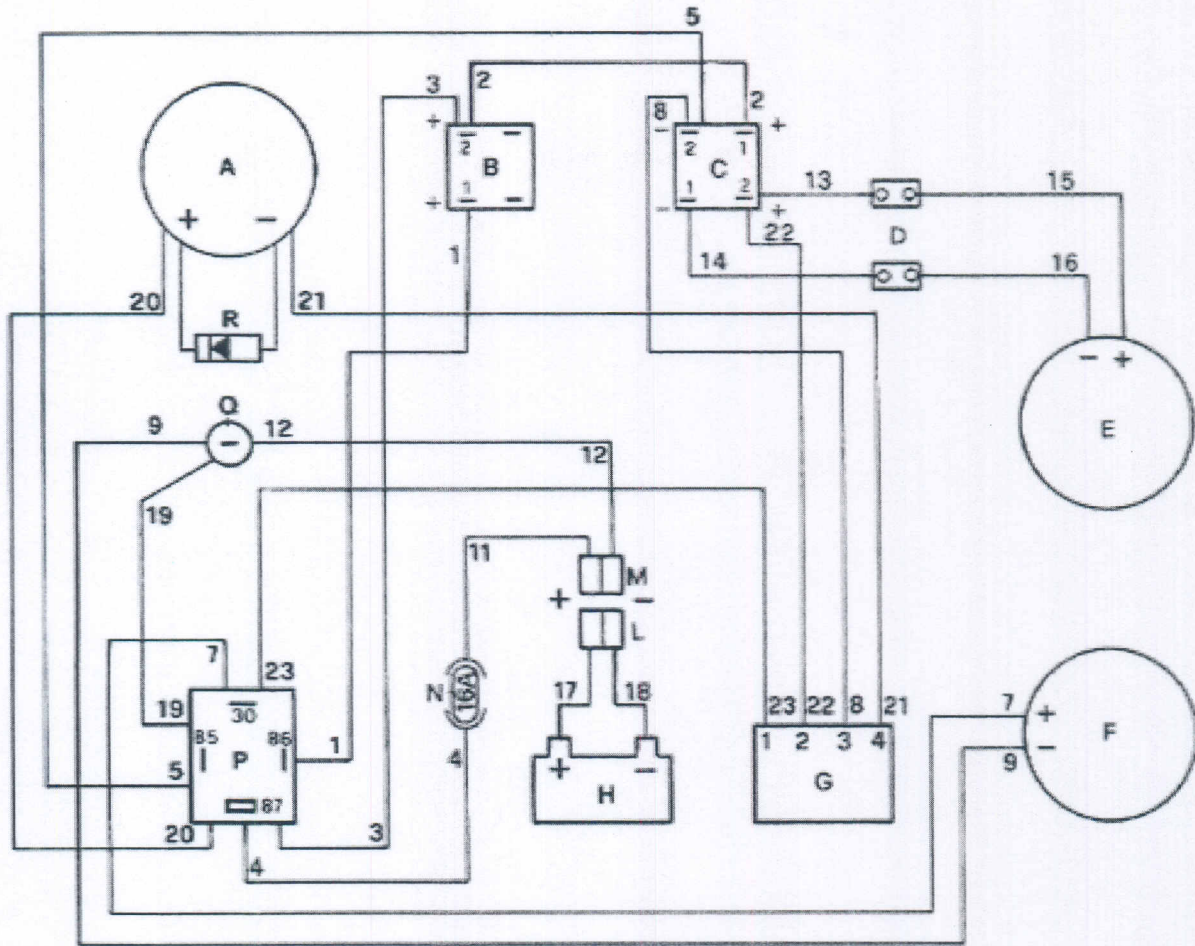
## WS 20

6/3/2004

Pos.	Eureka	Powerboss	Description	Briggs & Stratton Qty	Electric Qty
1	310044	1000637	Cover - Vac Assy	-	1
2	640051	1001114	Contacts	-	2
3	740016	1001214	Ring	-	2
4	210097	1000452	Spacer - Fan Housing	-	1
5	310043	1000636	Plastic Base	-	1
6	210099	1000454	Bushing	-	2
7	550025	1000960	Spring	-	2
8	210098	1000453	Contact Pin	-	2
9	580044	1001045	Latch - Hopper Assy	-	1
10	180007	1000370	Handle	-	1
11	730022	1001190	Washer	-	2
12	120119	1000215	Filter Mounting	-	1
13	120118	1000214	Bar - Fastener	-	1
14	110093	1000076	Rod - Threaded	-	4
15	310046	1000639	Housing - Filter	-	1
16	210090	1000445	Spacer	-	4
17	610010	1001073	Fan - Vacuum	-	1
18	310045	1000638	Fan Mount	-	1
19	520023	1000919	Filter - Dust Control	-	1
20	130072	1000330	Filter Shaker	-	1
21	550024	1000959	Spring	-	1
22	210091	1000446	Pin	-	4
23	550023	1000958	Spring	-	4
24	110097	1000078	Strap - Hopper Flap	-	1
25	340016	1000719	Flap - Hopper	-	1
***	490028	1001334	Rubber flaps kit		
26	110098	1000079	Access Door	-	1
27	120124	1000220	Guard - SB Belt	-	1
28	210093	1000448	Spacer	-	1
29	580045	1001046	Bushing	-	2
30	210096	1000451	Roller - Belt Guide	-	1
31	410018	1000799	Bearing - Belt Guide	-	2
32	210101	1000455	Spacer	-	1
33	330057	1000700	Bumper Stud	-	1
34	130077	1000335	Weldment - SB Pivot	-	1
35	310047	1000640	Hopper	-	1
36	330056	1000699	Grommet	-	1
37	210092	1000447	Knob	-	1
38	330004	1000660	Knob	-	1
39	120123	1000219	Arm - Side Brush	-	1
40	210002	1000374	Spacer	-	1
41	410001	1000782	Bearing	-	2
42	270029	1000600	Pulley	-	1
43	430024	1000828	Belt	-	1
44	210003	1000375	Screw	-	1
45	520002	1000912	Side Brush	-	1
46	210261	1001807	Spacer	-	1



Pos.	Eureka	Powerboss	Description	Briggs & Stratton Qty	Electric Qty
1	210095	1000450	Contact Pin	-	2
2	310042	1000635	Plastic Support	-	1
3	120125	1000221	Controls Panel	-	1
4	900419	1001835	Battery Charge Indicator	-	1
5	510055	1000900	Decal - Battery Charge	-	1
6	660024	1001155	Switch - Main Broom	-	1
7	510087	1000909	Rubber Bumper	-	2
10	510059	1000903	Decal - Side Broom	-	1
11	510056	1000901	Decal - Main Broom	-	1
12	650011	1001141	Electronic Card	-	1
13	660011	1001148	Microswitch	-	1
14	310049	1000642	Cover Protection	-	1
15	640037	1001730	Connector - Battery	-	1
16	640038	1001669	Connector - Battery	-	1
17	640089	1001130	Battery Lead - Positive	-	1
18	640090	1001131	Battery Lead - Negative	-	1
19	630003	1001083	Assy - Battery Connector	-	1
20	630002	1001082	Assy - Main Wire	-	1
21	640039	1001389	Handle - Battery Connector	-	1
22	640012	1001092	Fuse	-	1
23	640075	1001117	Fuse Box	-	1



Pos.	Eureka	Powerboss	Description
A	900419	1001835	Battery charge indicator
B	660025	1001156	Motoreducer's switch
C	660024	1001155	Vacuum switch
D			Contacts
E			Vacuum cleaner
F			Motoreducer
G	650011	1001141	Eletronic card
H			Battery
L			Steel connector
M			Mobile connector
N	640012	1001092	Fuse
P	660011	1001148	Microswitch
Q			Negative pole
R			Diode 3A